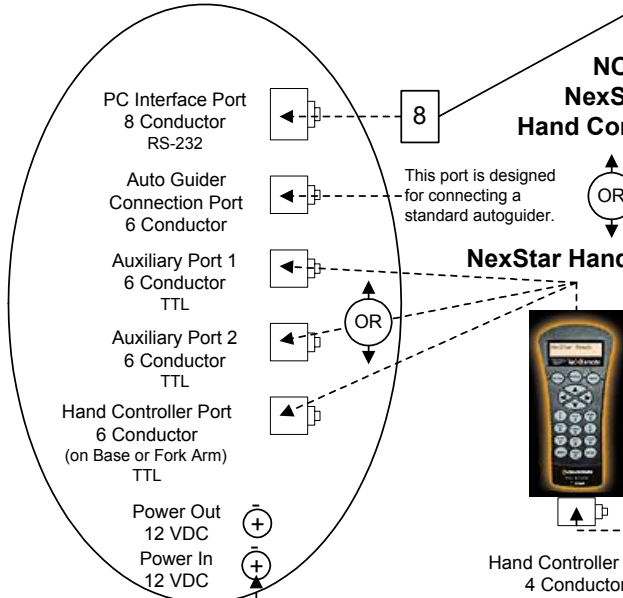


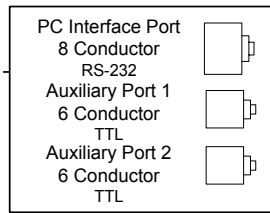
NexStar Cabling Summary Diagram (version 1.0, March 2006)
 Available on the NexStar Resource Site: <http://www.NexStarSite.com>

NexStar Telescope

(There are a number of generations of NexStar telescopes. Some models may not have all these ports. See the NexStar site for information on each.)



To 110 VAC Power Module, or Adapter, Car Battery #18769



(See the NexStar Resource site for information on other port converters for different NexStar scopes.)

Auxiliary Port Accessory Kit (part number 93965)

Diagram by: Larry McNish

NO NexStar Hand Controller

OR

NexStar Hand Controller

This port is designed for connecting a standard autoguider.



Hand Controller Jack 4 Conductor RS-232

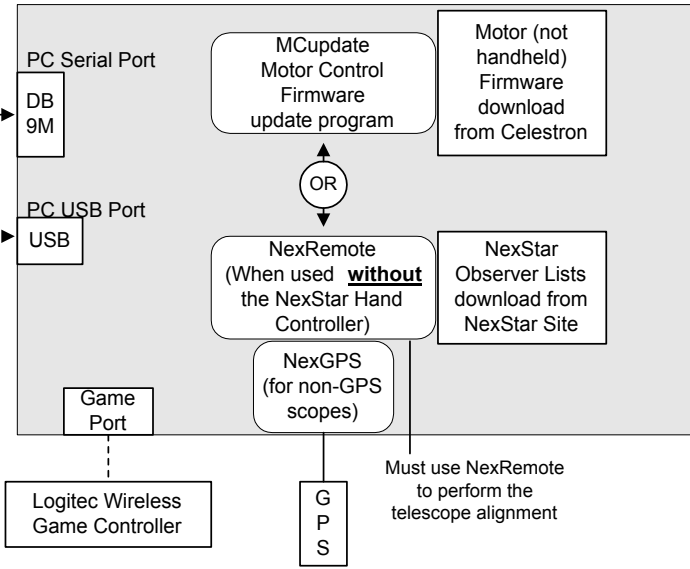
Optional Programming Cable (#93922)

RS-232 cable (#93920)

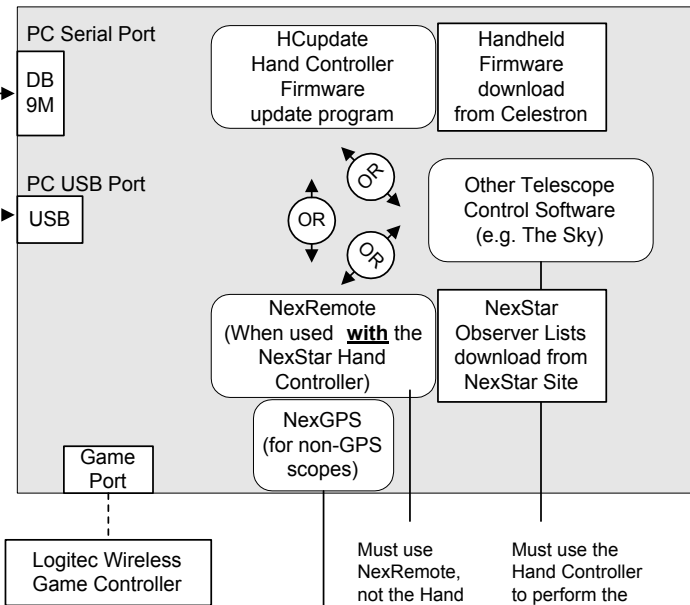
PDA
 (PDAs require a serial "sync" cable in addition to the RS-232 cable or a serial port CF card.)

Note: Other 3rd party PC / PDA software is available that provides additional NexStar functionality or allows the telescope to be controlled remotely. See the NexStar Resource site for further information.

Personal Computer



Must use NexRemote to perform the telescope alignment



Must use NexRemote, not the Hand Controller to perform the telescope alignment.

Must use the Hand Controller to perform the telescope alignment then use (or switch to) the RS-232 input for the control software in the PC to locate objects etc. when using other scope software.

GPS

GPS

* (available at many telescope dealers and computer stores for PCs without an available serial port)